

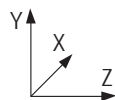
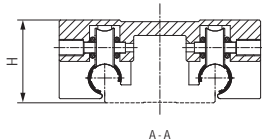
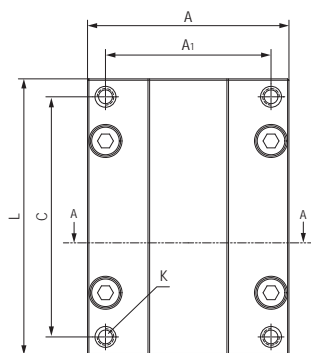
WRC02...HBR圆导轨混合滑台 Assembled hybrid carriages



产品特性 Product features

- 滚动与滑动混合滑台
 - 顺畅滑动，较小驱动力
 - 导向滑动膜标准材料EPB13
 - 配合WR02导轨水平安装
 - 自润滑、免维护
 - 抗灰尘、无噪音
- Rolling and sliding hybrid carriages
 - Smooth moving and lower driving force
 - Sliding liners material: EPB13
 - For horizontal installation of WR02 guide rails
 - Maintenance-free, dry-running
 - Resistant dust and no noise

标准规格 Standard specifications



产品编码 Part No.:

WRC02-10-40-100-HBR04

- 两侧滚轮数量
Roller quantities on both sides
- 水平安装 Horizontal installation
- 长度 Length
- 宽度 Width
- 直径 Diameter

产品编码 Part No.	A [mm]	A ₁ [mm]	L [mm]	C [mm]	H [mm]	K [mm]	静态载荷 Static load			动态载荷 Dynamic load	重量 Weight [kg]
							Coz [N]	Mox [Nm]	Coy- [N]	Coy- [N]	
WRC02-10-40-100-HBR04	73	60	100	87	30	M6	2400	170	920	2560	0.38
WRC02-10-40-150-HBR04	73	60	150	137	30	M6	2400	290	920	2560	0.44
WRC02-10-40-200-HBR04	73	60	200	187	30	M6	2400	410	920	2560	0.51
WRC02-10-80-100-HBR04	107	94	100	87	30	M6	2400	170	920	2560	0.44
WRC02-10-80-150-HBR04	107	94	150	137	30	M6	2400	290	920	2560	0.52
WRC02-10-80-200-HBR04	107	94	200	187	30	M6	2400	410	920	2560	0.58
WRC02-16-60-150-HBR04	104	86	150	132	42	M8	4200	480	1440	3880	0.78
WRC02-16-60-200-HBR04	104	86	200	182	42	M8	4200	690	1440	3880	1.10
WRC02-20-80-150-HBR04	134	116	150	132	53	M8	6400	670	1760	4400	1.50
WRC02-20-80-200-HBR04	134	116	200	182	53	M8	6400	990	1760	4400	1.50
WRC02-20-80-250-HBR04	134	116	250	232	53	M8	6400	1250	1760	4400	1.80

WRC02

CSB-LMS[®]

www.csb-ep.com
sales@csb-ep.com

Tel: 0086 573 84186133/84185527
Fax: 0086 573 84185517